

DROP SEPARATOR PROFILES PSG


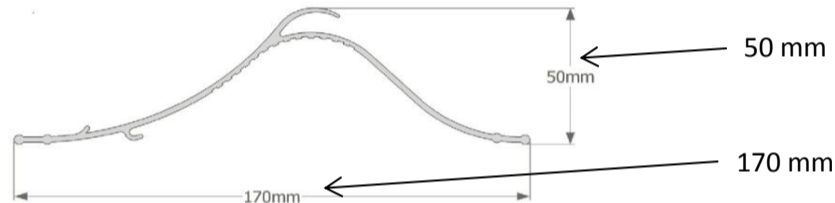


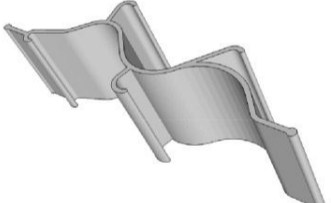
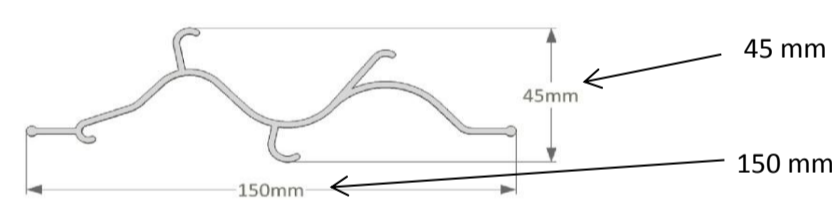
PSG


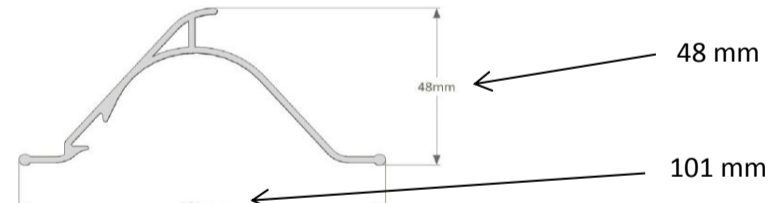
GENERALS


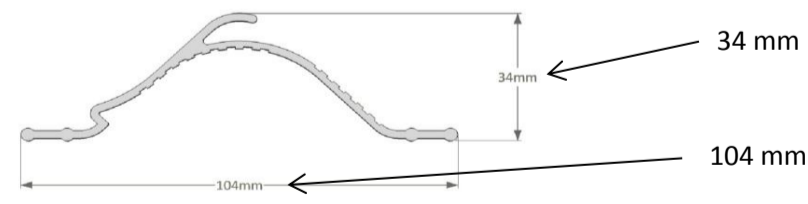
THE DROP SEPARATORS FOR HORIZONTAL AIR FLOW (SERIES PSG) ALLOW TO SEPARATE TWO FLUIDS IN A GAS STREAM. THE MOST FREQUENT EVENT IS TO SEPARATE WATER DROPS IN AN AIR FLOW. THE PROFILE IS OBTAINED BY EXTRUDING PLASTIC MATERIALS (PVC AND PP). ITS DESIGN ALLOWS TO SEPARATE THE DROPS OF WATER CONTAINED IN THE AIR FLOW WHICH, IMPACTING THE PROFILE, ARE THICKENED AND CONVEYED DOWNWARDS BY GRAVITY. THESE DROP SEPARATOR PROFILES OFFER THE BEST PERFORMANCE TO DATE AVAILABLE ON THE MARKET, FROM BOTH THE POINT OF VIEW OF SEPARATION EFFICIENCY AND HIGH MECHANICAL STRENGTH. ALSO THE PP USED IS FIRST QUALITY.

MATERIAL	NON-REGENERATED PP
MAXIMUM OPERATING TEMPERATURE	90°C
STORAGE TEMPERATURES	-10°C ÷ 50°C
COLOUR	WHITE OR GREY
STANDARD LENGTH	6000 mm

PRODUCT CODE	PRICE (€)	OPERATING PRINCIPLES AND ADVICES			
		AIR SPEED	DROPS SIZE	PITCH OF THE COMB	MAX RECOMMENDED HEIGHT
PSG 10	a.r.	Between 2 and 6 m/s	Between 15 and 30 µm	25 mm	2,5 m
	 				

PRODUCT CODE	PRICE (€)	OPERATING PRINCIPLES AND ADVICES			
		AIR SPEED	DROPS SIZE	PITCH OF THE COMB	MAX RECOMMENDED HEIGHT
PSG 20	a.r.	Between 1 and 4 m/s	Between 15 and 30 µm	25 mm	2,5 m
	 				

PRODUCT CODE	PRICE (€)	OPERATING PRINCIPLES AND ADVICES			
		AIR SPEED	DROPS SIZE	PITCH OF THE COMB	MAX RECOMMENDED HEIGHT
PSG 30	a.r.	Between 2 and 5 m/s	Between 15 and 35 µm	33 mm	2,5 m
	 				

PRODUCT CODE	PRICE (€)	OPERATING PRINCIPLES AND ADVICES			
		AIR SPEED	DROPS SIZE	PITCH OF THE COMB	MAX RECOMMENDED HEIGHT
PSG 40	a.r.	Between 2,5 and 4 m/s	Between 25 and 32 µm	25 mm	2,5 m
	 				

• Material normally in stock

WE CAN PROVIDE THIS PRODUCT ALSO IN PVC
DIFFERENT DIMENSIONS OR VERSIONS ARE AVAILABLE ON REQUEST

Vefim S.r.l. reserves the right to update without notice the characteristics described above.
This document may not be reproduced, transcribed, or translated (in part or in full) without specific written permission by Vefim S.r.l. as provided for by law.